



Tronic 3000T

ES 2.5/4/8...



6720801072-00_1V

- [2] Installation Manual and Operating Instructions
- [19] Instrucciones de Instalación y Funcionamiento

6 720 801 072 (2023/09) US



Table of contents

1	Explanation of symbols and safety information	2
1.1	Key to symbols	2
1.2	Safety information	3
2	Information about the product	5
2.1	Models overview	5
2.2	Dimensions	6
2.3	Technical data	7
3	Installation instructions	8
3.1	Water Chemistry Requirements	8
3.2	Water Chemistry Requirements Table	8
3.3	Mounting the heater	8
3.4	Pipe connections	8
3.5	Closed system thermal expansion	9
3.6	Electrical connections	9
4	Use	11
4.1	Starting and testing	11
4.2	Temperature setting	11
5	Maintenance	11
5.1	Removing the cover	11
5.2	Draining the heater	11
5.3	Inspecting the anode rod	12
5.4	Removing the heating element	12
5.5	Descaling the heating element	13
6	Replacement of parts	14
6.1	Changing the anode rod	14
6.2	Changing the heating element	14
6.3	Changing the thermostat	14
7	Troubleshooting	14
7.1	Resetting High Limit Switch	15
7.2	Online Resources	15
8	Bosch interior component diagram	16
9	Bosch Tronic 3000T LIMITED WARRANTY	17

1 Explanation of symbols and safety information

1.1 Key to symbols

Warnings

In warnings, signal words at the beginning of a warning are used to indicate the type and seriousness of the ensuing risk if measures for minimising danger are not taken.

The following signal words are defined and can be used in this document:



DANGER:

DANGER indicates a hazardous situation which, if not avoided, will result in death or serious injury.



WARNING:

WARNING indicates a hazardous situation which, if not avoided, could result in death or serious injury.



CAUTION:

CAUTION indicates a hazardous situation which, if not avoided, could result in minor or moderate injury.

NOTICE:

NOTICE is used to address practices not related to personal injury.

Important information



The info symbol indicates important information where there is no risk to people or property.

Additional symbols

Symbol	Meaning
▶	a step in an action sequence
→	a reference to a related part in the document
•	a list entry
–	a list entry (second level)

Table 1

1.2 Safety information



CAUTION:

Risk of electric shock!

- ▶ When using electrical appliances, safety precautions to reduce the risk of fire, electric shock or injury to persons should be followed, including:

- ▶ READ ALL INSTRUCTIONS BEFORE USING THIS WATER HEATER.
- ▶ This water heater must be grounded. Connect only to properly grounded outlet. See "GROUNDING INSTRUCTIONS" found on "INSTALLATION INSTRUCTIONS".
- ▶ Install or locate this water heater only in accordance with the provided installation instructions.
- ▶ Use this water heater only for its intended use as described in this manual.
- ▶ The models ES2.5 and ES4 come equipped with a power cord. Do not use an extension cord. If no outlet is available adjacent to the water heater, contact a qualified electrician to have one properly installed near the heater. The model ES8 must be hard-wired. See installation instructions.
- ▶ As with any appliance, close supervision is necessary when used by children.
- ▶ The water heater must be supplied with water that meets the standards provided in section 3.1 - Water Chemistry Requirements.
- ▶ When a supplemental source of hot water is supplied to this Tronic 3000T, provisions must be made to ensure that the temperature of the heat source does not exceed the thermostat setting on this Tronic 3000T.
- ▶ If the water heater has been retrofitted with supplemental heating equipment, you must adjust both the thermostat that controls the supplemental heat source (located in the piping) and the thermostat on the Tronic 3000T (located behind the front panel) to the same temperature. Failure to adjust both thermostats to the same temperature can cause loss of correct temperature control.
- ▶ Do not operate this water heater if it is has a damaged cord or plug, if it is not working properly, or if it has been damaged or dropped.
- ▶ This water heater should be serviced only by qualified service personnel. Contact a service person for examination, repair or adjustment.

- ▶ Failure to replace the anode rod at least once every two years may cause the tank to fail and leak. We also recommend inspecting the anode rod annually and replacing it immediately if it is corroded or pitted. Damage caused by not maintaining the anode rod is not covered under the manufacturer's warranty.
- ▶ Any water heater should be installed in such a manner that if it should leak, the resulting flow of water will not cause damage to the area in which it is installed. National Plumbing codes require a drain pan for any water heater installation. Failure to install one is the sole responsibility of owner and/or installer. Reference UPC 2006 (Uniform Plumbing Code) Section 508.1, or IPC 2006 (International Plumbing Code) Section 504.7.

NOTICE:

- ▶ The thermostat has been pre-set at the factory at a temperature equal or below 51.7 °C (125 °F).

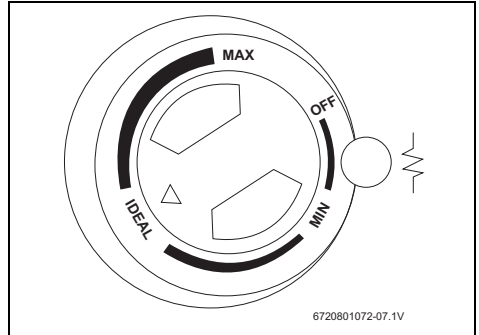


Fig. 1

**DANGER:**

- ▶ Hydrogen gas can be produced in a hot water system served by this heater that has not been used for a long period of time (generally 2 weeks or more). Hydrogen gas is extremely flammable. To reduce the risk of injury under these conditions, it is recommended that the hot water faucet be opened for several minutes at the kitchen sink before using any electrical appliance connected to the hot water system. If hydrogen gas is present, there will probably be an unusual sound such as air escaping through the pipe as the water begins to flow. There should be no smoking or open flame near the faucet at the time it is open.

**CAUTION:**

- ▶ Any water heater should be installed in such a manner that if it should leak, the resulting flow of water will not cause damage to the area in which it is installed. National Plumbing codes require a drain pan for any water heater installation. Failure to install one is the sole responsibility of owner and/or installer. Reference UPC 2006 (Uniform Plumbing Code) Section 508.1, or IPC 2006 (International Plumbing Code) Section 504.7.

NOTICE:

- ▶ The installer should review the contents of this manual with the owner upon completion of installation, and the manual should be left with the owner and placed in a location close to the installation.

NOTICE:

- ▶ The manufacturer is not responsible for the damages caused by improper installation or by failure to follow instructions in this manual. Comply with the installation instructions before completing electric connection.

NOTICE:

- ▶ Prior to connecting the power supply, ensure tank is full of water and system is purged of air. Failure to do so may result in dry-fire damage to the appliance, which is not covered under warranty.

NOTICE:

- ▶ Tank failure due to neglecting to maintain the anode rod is not covered under warranty (see Section 5 Maintenance).



WARNING:

This product can expose you to chemicals including lead, which is known by the State of California to cause cancer and birth defects or other reproductive harm. For more information go to www.P65Warnings.ca.gov.

2 Information about the product

2.1 Models overview

Models ES2.5 and ES4

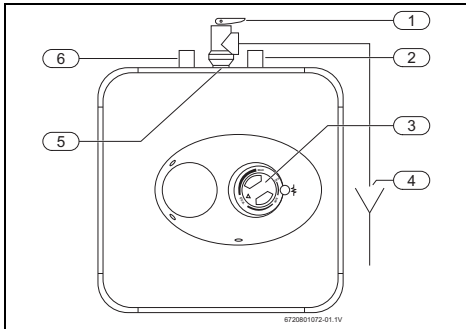


Fig. 2

- [1] Temperature & pressure relief valve, ¾ NPT male
- [2] Cold water inlet ½ NPT male
- [3] Thermostat
- [4] Temperature & pressure relief valve discharge line to drain
- [5] ¾ NPT female tapping for relief valve
- [6] Hot water outlet ½ NPT male

Models ES8 (Horizontal installation)

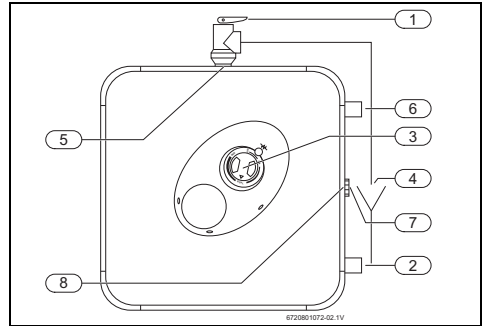


Fig. 3

- [1] Temperature & pressure relief valve, ¾ NPT male
- [2] Cold water inlet ¾ NPT male
- [3] Thermostat
- [4] Temperature & pressure relief valve discharge line to drain
- [5] ¾ NPT female tapping for relief valve
- [6] Hot water outlet ¾ NPT male
- [7] ¾ NPT male plug
- [8] ¾ NPT female tapping for tap

Models ES8 (Vertical installation)

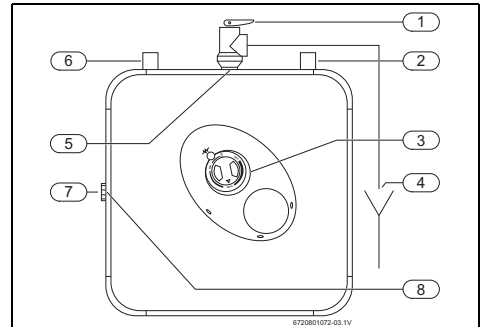


Fig. 4

- [1] Temperature & pressure relief valve, ¾ NPT male
- [2] Cold water inlet ½ NPT male
- [3] Thermostat
- [4] Temperature & pressure relief valve discharge line to drain
- [5] ¾ NPT female tapping for relief valve
- [6] Hot water outlet ½ NPT male
- [7] Hot water outlet ½ NPT male
- [8] Hot water outlet ½ NPT male

2.2 Dimensions

Models ES2.5 and ES4 (Vertical installation only)

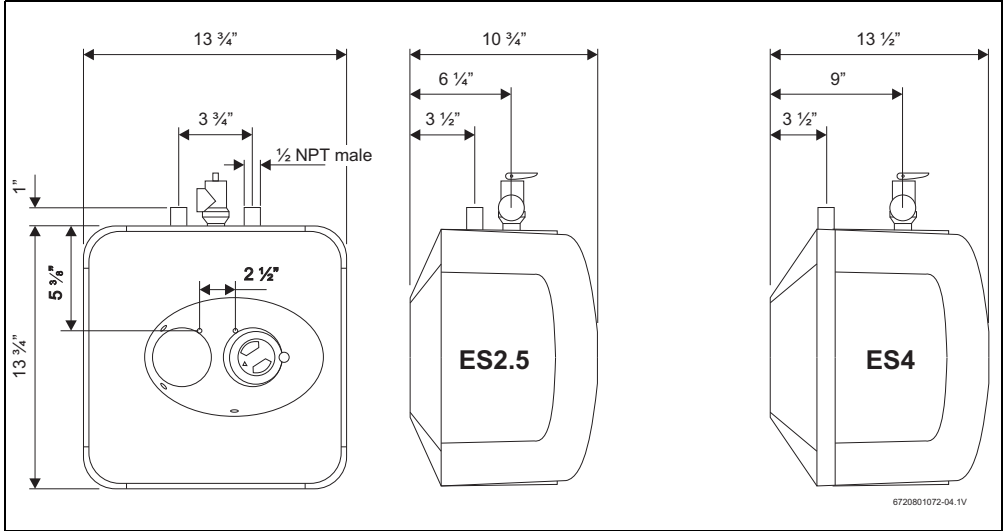


Fig. 5

Models ES8 (Vertical installation only)

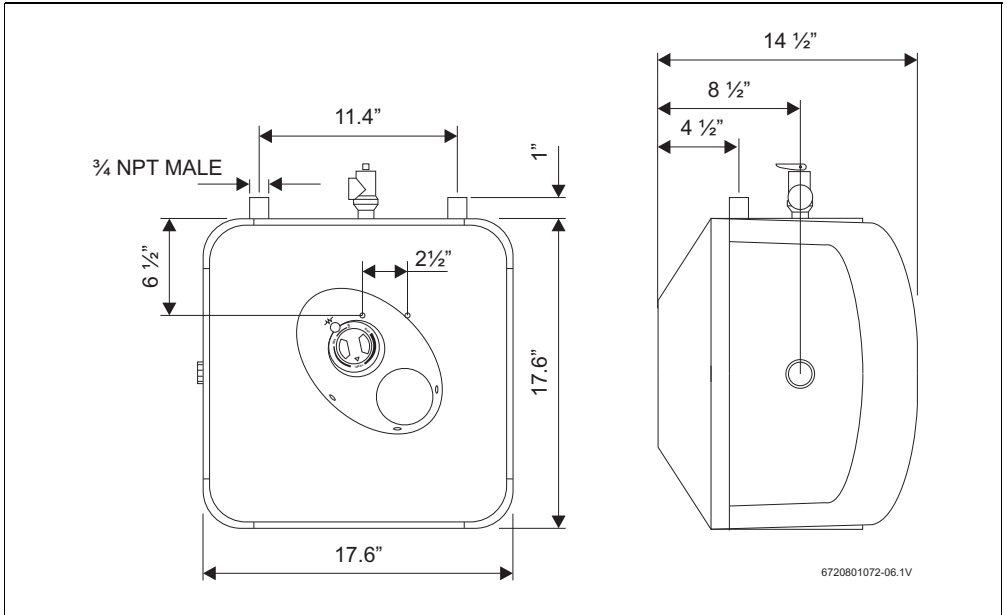


Fig. 6

Models ES8 (Horizontal installation only)

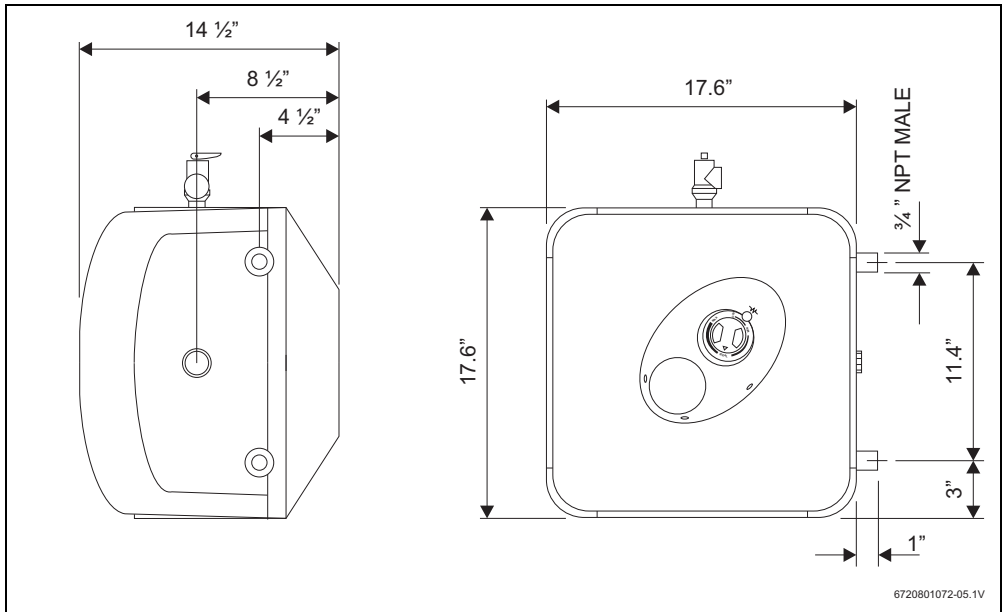


Fig. 7

2.3 Technical data

Technical data	Units	ES 2.5	ES 4	ES 8
Capacity	gallons	2.7	4.0	7.0 (Hor.) / 5.1 (Vert.)
Voltage	VAC	110/120 for each model		
Power at 120 VAC	Watts	1440		
Maximum water pressure	psi	150		
Weight (empty)	Lbs	15.5	17.3	29.5
Amperage	Amps	12.0 for each model		
Phases		1		
Temperature range	°F	65 - 145		
Recovery rate	gallons/hour	6.8		

Table 2

3 Installation instructions



The ES2.5 and ES4 water heaters are designed to be installed under the sink.

3.1 Water Chemistry Requirements

The chemistry of the water supplied to the water heater may affect efficiency, and may cause damage or premature failure to the appliance and associated equipment. Water chemistry must be analysed by a professional to determine if it is necessary to treat the water, and if treatment is required the professional should provide advice on a suitable solutions. It is the responsibility of the installer to ensure that the appliance is supplied with water that is potable¹⁾, free of corrosive chemicals, sand, dirt, and other contaminants, and is within the parameters shown in the Water Chemistry Requirements Table below. In addition, operating temperatures above 135°F will accelerate the natural accumulation of lime scale and potentially shorten the life of the appliance.

Failure of the appliance due to lime scale build-up, and/or being supplied with water that is outside of the required chemistry parameters, is NOT covered by the warranty.

3.2 Water Chemistry Requirements Table

	Values
Ph	6.5 to 8.5
Hardness	4 to 20 Grains/US Gallon
Chloride Concentration	≤ 100 ppm
Total Dissolved Solids	≤ 500 ppm
Conductivity (µS/cm)	≤ 1200

Table 3

- Potable water is defined as drinkable water supplied from utility or well water in compliance with EPA secondary maximum contaminant levels (40 CFR Part 143.3). If the water contains contaminants higher than outlined by the EPA, water treatment is recommended and more frequent maintenance may be required. If you suspect that your water is contaminated in any way, discontinue use of the appliance and contact a licensed professional for assistance.

3.3 Mounting the heater

3.3.1 Wall mounting

NOTICE:

The ES2.5 and ES4 water heaters come equipped with a power cord.

- Ensure the circuit breaker supplying the electrical outlet for the water heater is properly sized to handle the load of both the water heater and another appliance (e.g. dishwasher). See Table 2 for water heater electrical specifications.

- Fasten the supplied mounting bracket to the wall.

NOTICE:

Material damages!

- Use screws that are suitable for the wall material and the weight of the heater when filled with water.
- Hang the water heater on the bracket.
- Tug down wards on the heater to ensure that both "fingers" of the bracket are seated in the mounting slots.

3.3.2 Floor mounting

- Heater can sit on floor.

3.4 Pipe connections

- Connect the cold water inlet pipe to the inlet tapping (marked with a blue ring).
- Ensure a isolation valve is installed on the cold water supply to the water heater.
- Connect the hot water outlet pipe to the outlet tapping (marked with a red ring).



The model ES8 can be piped horizontally from the side or vertically from the top.

Horizontal installation - ES8 Model Only

If you wish to install the unit horizontally, with the piping connections on the right side:

- Install supplied brass plug into tap between hot and cold water connections.
- The supplied Temperature and Pressure Relief Valve will need to be installed on top. See location of T&P relief valve in → Fig. 7.

Vertical installation

If you wish to install the unit vertically, with the piping connections on top:

- ▶ Install supplied brass plug into tap on side of water heater.
- ▶ The supplied Temperature and Pressure Relief Valve will need to be installed on top. See location of T&P relief valve in → Fig. 5 and → Fig. 6.

Caution



CAUTION:

To reduce the risk of excessive pressures and temperatures in this water heater:

- ▶ Install the supplied temperature and pressure protective equipment required by local codes but not less than a combination temperature and pressure relief valve certified by a nationally recognized testing laboratory that maintains periodic inspection of production of listed equipment or materials, as meeting the requirements for Relief Valves and Automatic Gas Shut-off Devices for Hot Water Supply Systems, ANSIZ21.22.

The supplied temperature and pressure relief valve is marked with a maximum set pressure (150 psi) that does not exceed the marked maximum working pressure of the water heater.

- ▶ Install the valve in the opening provided and marked for this purpose in the water heater.
- ▶ Orient it or provide tubing so that any discharge from the valve will exit within 6 inches above, or at any distance below, the structural floor, and cannot contact any live electrical part. The discharge opening must not be blocked or reduced in size under any circumstances.

National Plumbing codes may require a drain pan for the water heater installation. Failure to install one is the sole responsibility of owner and/ or installer. Reference UPC (Uniform Plumbing Code), or IPC (International Plumbing Code).

3.5 Closed system thermal expansion

Periodic discharge of the temperature and pressure relief valve or failure of the element gasket may be due to thermal expansion in a closed water supply system. The water utility supply meter may contain a checkvalve, backflow preventer or water pressure reducing valve which will create a closed water system.

During the heating cycle of the water heater, the water expands causing pressure inside the water heater to increase. The temperature and pressure relief valve may discharge hot water under these conditions which results in a loss of energy and a

build-up of lime on the relief valve seat.

To prevent this from happening, there are two recommendations:

1. Install a diaphragm-type expansion tank that is suitable for potable water on the cold water supply line. A minimum 0.5 gallon expansion tank should be used.

Contact the local water supplier or plumbing inspector for information on how to control this situation. Do not plug the temperature and pressure relief valve.

3.6 Electrical connections

The ES8 model must be hard wired. As per the National Electric Code the ES8 needs to be wired with 12 GA. wire to a 20 amp branch circuit.



Do not use surge protectors or multi-outlet adapters with this water heater.

- ▶ Unscrew the junction box cover and remove it.
- ▶ Insert 12 AWG through conduit into junction box and secure with conduit strain relief (not supplied).
- ▶ Connect the wires and screw on the cover of the junction box.
- ▶ Make appropriate wiring connections to the water heater per the National Electric Code.

The unit must be grounded with supplied grounding cable inside junction box.

- ▶ Secure junction box cover once wiring connections have been made.

When the ES8 is not within sight of the electrical circuit breakers, a circuit breaker lockout or additional local means of disconnection for all non grounded conductors must be provided that is within sight of the appliance. [REF NEC 422.31].

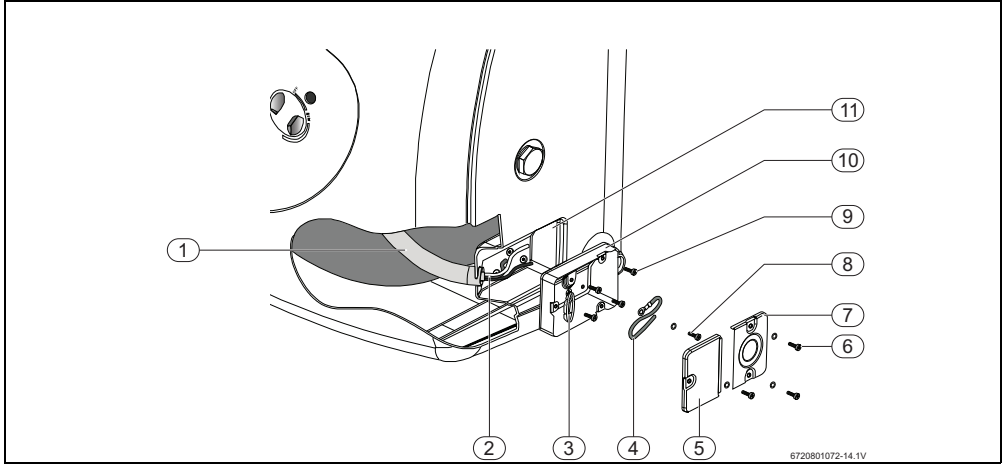


Fig. 8

- [1] Cable housing (internal to the unit)
- [2] Wiring
- [3] Protection ring for wiring.
- [4] Additional grounding cable AWG16
(minimum length 152mm)
- [5] Junction box left cover
- [6] N°3 self tapping screw for junction box covers fixing
(with lock washer or serrated head)
- [7] Junction box right cover
- [8] N°1 self tapping screw for grounding
(with lock washer or serrated head)
- [9] N°4 screws for junction box fixing
- [10] Junction box
- [11] Housing for junction box (in the plastic front cover)

4 Use

4.1 Starting and testing

NOTICE:

DO NOT supply power to water heater until filled with water. If the water heater is powered on prior to being filled with water, it could lead to dry-fire damage. This is not covered under warranty.

To fill the heater:

- ▶ Open supply valve for water heater to fill with water.
- ▶ Open hot water tap(s) supplied by the water heater to purge air out of the system. Once air is purged, close hot water tap.
- ▶ Visually check for any leaks.

Turning heater on

For models which are not fitted with a switch:

- ▶ Supply power to the water heater by plugging in the power cord (models ES2.5, ES4) or turning on the circuit breaker (model ES8). If the light does not come on, turn the control knob in a clockwise direction. The light will come on until water temperature has reached the thermostat temperature setting. The light will come back on any time the water temperature inside the tank drops below the thermostat setting.

4.2 Temperature setting

The temperature of the hot water is adjusted by rotating the knob M located on the front cover. Temperature range is 65 - 145 °F.

- ▶ Turn the knob clockwise to increase temperature.

- ▶ Turn the knob counter-clockwise to decrease temperature.

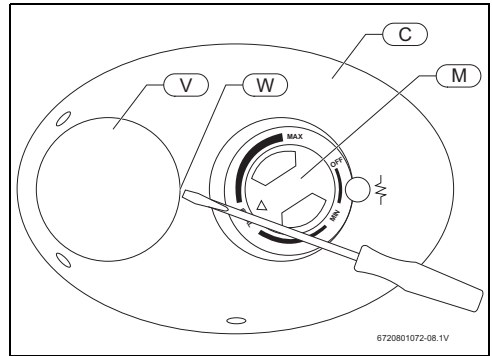


Fig. 9

5 Maintenance



CAUTION:

Do not attempt to repair this water heater yourself. Call a service person for assistance. Always turn off the power supply to the heater prior to servicing or draining the heater.

Required maintenance



For all of the following operations, the power must be removed from the water heater (ES2.5 and ES4; Unplug from the wall power outlet. ES8; Turn off the circuit breaker at the mains panel). For some of the following operations the water must be drained from the water heater too.

5.1 Removing the cover

- ▶ Pry off the round cover plate [V] from its right hand edge [W] with a small flat-head screwdriver.
- ▶ Remove the Phillips screw revealed beneath the round cover plate.
- ▶ The cover [C] can now be removed by pulling out its left-hand edge. When reassembling, work in the opposite way being careful to insert the tongue of the cover into the slot.

5.2 Draining the heater

If the heater has been installed with flexible hoses:

- ▶ Shut off the power supply.

- ▶ Turn the heater upside down over a sink to drain the water out of it.

-or-

it can also be emptied by:

- ▶ Siphon through the inlet side hose.
- ▶ Keep a hot water faucet open while siphoning.

-or-

If the heater has been installed with rigid piping:

- ▶ Siphon the water out through any (lower) service valve on the (inlet side).
- ▶ Keep a hot water faucet open while siphoning the water out.

5.3 Inspecting the anode rod

The purpose of the anode rod (→ Fig. 13, [N]) is to protect the tank against corrosion. It is critical that the anode rod be inspected once a year to determine whether it requires replacement (and it must be replaced at least once every two years). To access the anode rod, the heating element must be removed (see Section 5.4 Removing the heating element).

Upon inspection, the anode rod surface should appear smooth. If the rod surface appears pitted, bumpy, rusty, or if the rod is missing completely, then it must be replaced before the water heater can be put back into operation.

To access the anode rod:

- ▶ Remove the heating element (see Section 5.4 Removing the heating element).

Original anode rod sizes

- ES2.5, ES4: length 5½", diameter ¾"
- ES8: length 6½", diameter ¾"

Certain installations may require more frequent replacement of the anode rod:

- recirculation applications;
- poor water quality;
- galvanic/electrolytic corrosion
- high flow applications

In the event of poor water quality, Bosch recommends consulting a local water treatment professional for water treatment options. Always ensure the water heater is grounded. Models ES2.5 and ES4 must be connected only to a properly grounded outlet. Damage resulting from poor water quality or failure to replace the anode rod is not covered under the manufacturer's warranty. For additional questions, please call Bosch Technical Service.

5.4 Removing the heating element

- ▶ Turn off power supply and drain the heater (see previous section).

- ▶ Remove the front cover plate, disconnect terminals X, Y and T.
- ▶ Unscrew the 4 heating element retaining nuts F.
- ▶ Remove thermostat temperature sensor from well [B] located on the element assembly.
- ▶ Remove the element G.

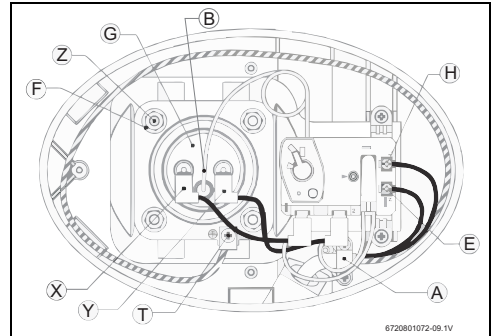


Fig. 10

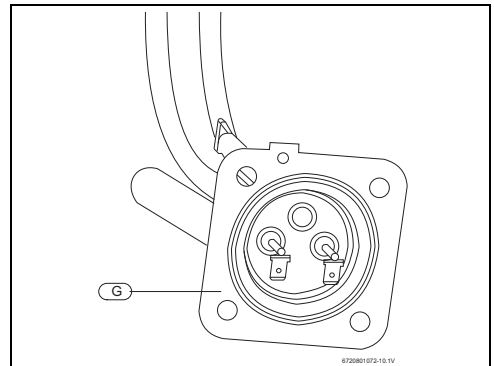


Fig. 11

Help Video Available Online

Video instructions on how to remove the heating element and check the anode rod can be found online here:

<https://youtu.be/5Ne5lan9Cis> or by scanning this QR code.

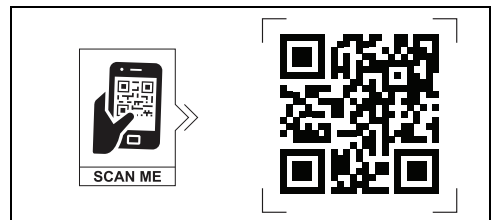


Fig. 12 QR code

5.5 Descaling the heating element

Scale deposits can affect the heating capability of the element. Heavy scale can even cause damage to the element. The element can be descaled either chemically or manually:

- ▶ Soak the element in white vinegar or other descaling solution.
- ▶ Once descaled, rinse well with fresh water, to which you should add some baking soda,

-or-

- ▶ Once the element has dried, use a soft brush (non metallic to prevent damaging the stainless steel sheath) on element.
- ▶ Brush the dried mineral off.
- ▶ Reinstall the element with gasket and make the wire connections.

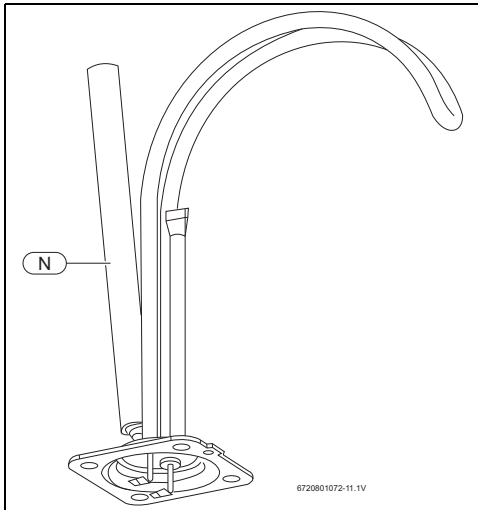


Fig. 13

NOTICE:

Make sure the tank has been refilled with water before restoring power.

6 Replacement of parts

6.1 Changing the anode rod

- ▶ Turn off the power supply and drain the heater (see Draining the Heater).
- ▶ Remove heating element (see previous section).
- ▶ Unscrew anode rod from threaded connection.
- ▶ Remove and replace the anode rod (→Fig. 13 [N]).
- ▶ Reinstall heating element.
- ▶ Refill tank with water before restoring power.

6.2 Changing the heating element

- ▶ Turn off power supply and drain the heater (see Draining the Heater).
- ▶ Remove the heating element (see section on Removing the Heating Element)
- ▶ Install new element with gasket, making sure the gasket and element are positioned correctly. Tighten the retaining nuts and make the wire connections.

- ▶ Ensure that the thermostat temperature sensor is inserted into the well located on the element assembly and secured with black rubber grommet.
- ▶ Refill tank with water before restoring power.

6.3 Changing the thermostat

- ▶ Turn off power supply.
- ▶ Disconnect the 2 wire connectors on thermostat.
- ▶ Loosen the two brass screws at right side of thermostat and pull wires out.
- ▶ Remove thermostat temperature sensor from well located in element assembly.
- ▶ Unscrew and remove the two Phillips screws holding the thermostat onto the tank.
- ▶ Install new thermostat and re-attach wiring and screws.
- ▶ Ensure that the thermostat temperature sensor is inserted into the well located on the element assembly and secured with black rubber grommet.

7 Troubleshooting

Problem	Solution
Water does not get hot.	Make sure the power supply is on and working.
	If light does not come on, check that the high limit reset button is pushed in; follow steps in section 7.1.
	If the indicator light works properly but temperature does not get hot at the tap, test for a plumbing crossover; shut off cold supply to heater and open hot water tap. There should be no water flowing. Any continued flow indicates a crossover which will effect the temperature and will need to be corrected. Also, it's important to understand that this is a storage tank water heater and so it will take time for the water to get up to the set temperature. If the appliance has only recently been filled with water and the power turned on, please allow approximately 20 minutes to come up to temperature.
	Call a qualified service technician to test the resistance of the heating element (8-10 ohms). Heating element should be replaced if readings are outside these values.
Light not on.	If the light does not come on, but water gets hot, check for faulty bulb.
	Check high limit reset button; follow steps in section 7.1;
Brown water.	Brown or rusty water indicates a "spent" anode rod and possible deterioration of the tank body. Inspect the tank for leaks. Check anode rod (see section on changing the anode rod).
Odor in water.	Smelly water could be due to an unusual reaction between local water and the heater's anode rod. Check anode rod (see section 6.1 Changing the anode rod). Failure to do so may result in damage to the tank and leaks.
Leaking	Check water fittings and T & P fitting on top of tank.
	Remove front cover and inspect heating element gasket.
	If tank is leaking call Bosch Water Heating for warranty claim if still within warranty period.
	Check anode rod (see section 6.1 Changing the anode rod).

Table 4

7.1 Resetting High Limit Switch

Occasionally, the high temperature limit shut off device may trip the reset. This occurs when water temperature exceeds 190 °F. The shut off device may also trigger from a power outage or electrical storm.

To reach the thermostat:

- ▶ Disconnect power cord (or shut off circuit breaker - model ES8) and remove the front cover.
- ▶ Firmly press reset button [B] with the tip of a ball point pen or similar object.

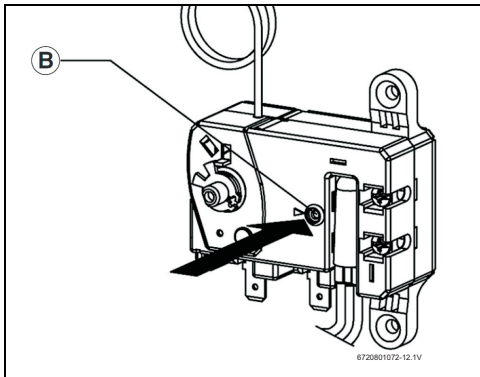


Fig. 14

A click indicates the reset was tripped.

- ▶ Reconnect power.

IMPORTANT: Check the operation of the thermostat:

- ▶ Turn temperature dial from high to low.
If the red light does not go off on low setting:
- ▶ Turn off power supply and call a service person to replace the thermostat.
If the red light does go off the thermostat is working well:
- ▶ Place dial setting to desired setting.



A lower setting is more economical, reduces the risk of scalding, and may also help to slow down the natural accumulation of lime scale inside the water heater.

- ▶ Replace cover plate.

CAUTION:

Call a technician if the high limit needs to be reset frequently. Frequent activation of the high limit may indicate that lime scale has formed on the heating element.

- ▶ Please refer to section 5.5 Descaling the Heating Element for further details.

7.2 Online Resources

For more technical tips, service bulletins, videos, and FAQs, please visit our Support webpage here: www.boschheatingcooling.com/service.

Alternatively, you can scan the code below with your cellphone!

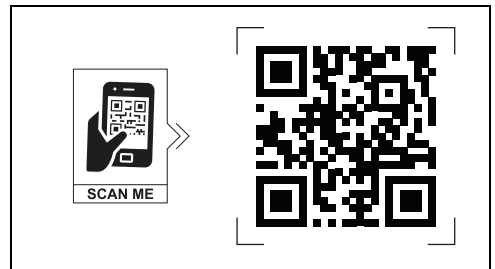


Fig. 15 QR code

8 Bosch interior component diagram

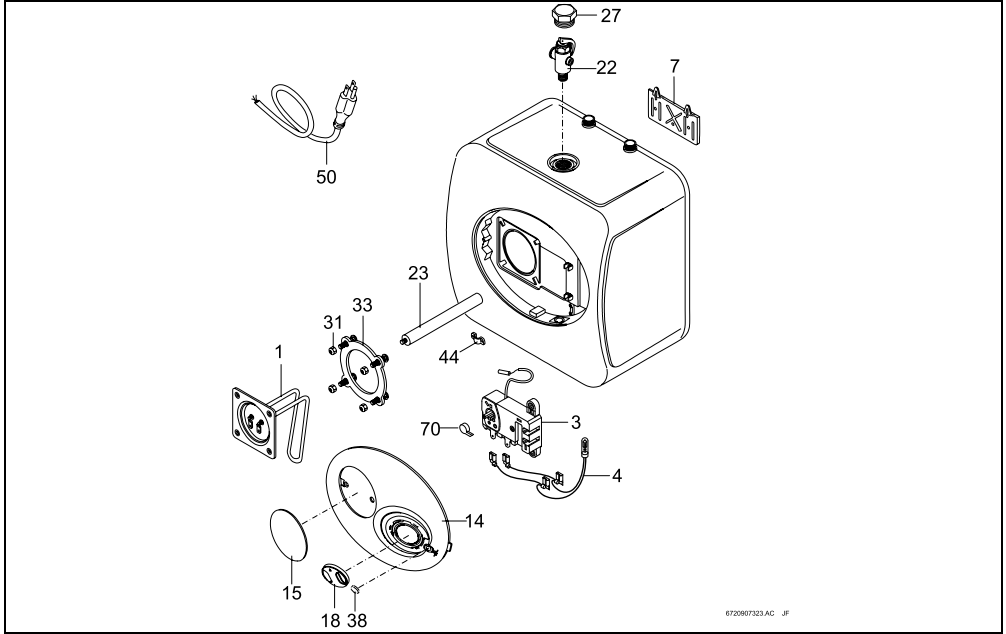


Fig. 16

Part	Description	TTNR	Model
1	HEATING ELEMENT 1440W	8 738 704 439 0	ES 2.5 / ES 4
	HEATING ELEMENT 1440W	8 738 704 440 0	ES 8
3	WIRED THERMOSTAT	8 738 711 260	ES 2.5 / ES 4
	WIRED THERMOSTAT	8 738 711 261	ES 8
4	NEON LAMP	8 738 727 579	ES 2.5 / ES 4 / ES 8
7	HEATER WALL HANGING BRACKET	8 738 704 443 0	ES 2.5 / ES 4 / ES 8
14	PLASTIC COVER	8 738 704 446 0	ES 2.5 / ES 4 / ES 8
18	KNOB	8 738 704 444 0	ES 2.5 / ES 4 / ES 8
22	VALVE T&P ¾	8 738 704 445 0	ES 2.5 / ES 4 / ES 8
23	MAGNESIUM ANODE D16 L:131 M4	7 738 007 315	ES 2.5 / ES 4
	MAGNESIUM ANODE D18 L:170 M4	7 738 007 316	ES 8
31	LOCK NUT M6	8 738 704 449 0	ES 2.5 / ES 4 / ES 8
33	GASKET WITH 4 BOLTS	8 738 704 450 0	ES 2.5 / ES 4 / ES 8
38	SIGNAL LAMP CAP	8 738 704 451 0	ES 2.5 / ES 4 / ES 8
44	CABLE CLAMP	8 738 704 452 0	ES 2.5 / ES 4 / ES 8
50	POWER CABLE	8 738 704 453 0	ES 2.5 / ES 4
70	THERMOSTAT LEVER	8 738 704 454 0	ES 2.5 / ES 4 / ES 8

Table 5

9 Bosch Tronic 3000T LIMITED WARRANTY

MODELS COVERED

This limited warranty is provided by Bosch Thermotechnology Corp. ("BTC") and covers Bosch Tronic 3000T heaters Models ES2.5, ES4 and ES8 (hereinafter referred to as "Water Heater"). This warranty is provided to the original purchaser of the Water Heater as long as the Water Heater remains installed at its original place of installation.

WARRANTY COVERAGE

Limited Warranty

Water Heater Inner Tank ("Inner Tank") - BTC warrants that the Inner Tank shall remain free of leaks for six (6) years from the date of installation or from date of manufacture if proof of installation is not available, provided it is properly installed and maintained and the other conditions of this warranty are met. If BTC determines that the Product has a defect in workmanship or materials, BTC, at its option, will repair or replace the defective part.

OTHER WATER HEATER COMPONENTS ("Other Components")

- BTC warrants that Other Components will remain free from defects in workmanship and materials for two (2) years from date of original installation or from date of manufacture if proof of installation is not available.

ITEMS NOT COVERED

This limited warranty does not cover the following circumstances:

1. Components or parts not provided by BTC.
2. Scratches in or discoloration of finishes.
3. Serviceable items and normal maintenance as required per the Installation and Maintenance Manual.
4. The workmanship of any installer. BTC disclaims and does not assume any liability of any nature for unsatisfactory performance caused by improper installation, repair or maintenance.
5. Any labor or material costs for removal, reinstallation, repair and replacement of the defective component or part.
6. Electricity or fuel costs, or any increases or unrealized savings in same, for any reason whatsoever.
7. Damage caused by abuse, accident, neglect, excessive temperatures or pressures, freezing, electrochemical reaction, air impurities, water that does not meet the water chemistry requirements, electrical failures, flooding, or acts of God.

8. Damage caused by lack of maintenance of anode rod. See Installation Manual for details.
9. Shipping charges, delivery expenses or administrative fees incurred by the purchaser in repairing or replacing the Water Heater.

CONDITIONS OF WARRANTY

The warranty herein is void under the following circumstances:

1. Failure or malfunction resulting from improper or negligent operation, accident, abuse, freezing, electrical imbalance characteristics, misuse, unauthorized alteration, incorrect electrical supply, electrical surges, or improper installation, repair or maintenance. See the Installation Manual for installation and maintenance information.
2. Failure or malfunction resulting from contaminated or corrosive air or liquid supply, the addition of unapproved chemicals, operation at abnormal temperatures, pressures or flow rates, or any attachment, accessory or component not authorized and approved by BTC. See the Installation Manual for installation and maintenance information.
3. Failure or malfunction resulting from the water heater not being supplied with potable water that meets the provided Water Chemistry Requirements, or water that may cause deposits or corrosion.
4. Work performed without prior authorization or approval and without authorization/requisition number and without proper documentation verifying compliance with above terms.

LIMITED WARRANTY

OTHER THAN THE OBLIGATIONS OF BTC EXPRESSLY SET FORTH HERIN, BTC DISCLAIMS ALL WARRANTIES, EXPRESS OR IMPLIED, INCLUDING BUT NOT LIMITED TO ANY IMPLIED WARRANTIES OF MERCHANTABILITY OR FITNESS FOR A PARTICULAR PURPOSE. BTC'S SOLE OBLIGATION WITH RESPECT TO THE PRODUCT AND PURCHASER'S EXCLUSIVE REMEDIES ARE SET FORTH IN THE FOREGOING LIMITED WARRANTY. BTC SHALL NOT BE LIABLE FOR ANY INDIRECT, PUNITIVE, INCIDENTAL, SPECIAL, CONSEQUENTIAL OR SIMILAR DAMAGES INCLUDING, WITHOUT LIMITATION, INJURY OR DAMAGE TO PERSONS OR PROPERTY OR DAMAGES FOR LOSS OF USE, LOST PROFITS, INCONVENIENCE OR LOSS OF TIME. NOTE THAT ANY REPAIRED OR REPLACED PRODUCT WILL BE WARRANTED FOR ONLY THE UNEXPIRED TERM OF THE ORIGINAL WARRANTY.

Some states do not allow the exclusion of limitation of damages, or limitations on how long an implied warranty lasts, so the above limitations and exclusions may not apply to you.

WARRANTY CLAIMS PROCESS

If you have a warranty claim you should notify the dealer who sold the Water Heater or submit the warranty claim directly to BTC at Bosch Thermotechnology Corp., 50 Wentworth Avenue, Londonderry, NH 03053. To process your claim, you will need a copy of your original invoice or other proof of purchase and documentation showing the Water Heater Model number, Serial Number, original installation date, place of purchase, and installer's name. The alleged defective components or parts must be returned to BTC in accordance with BTC procedure then in force for handling goods returned for the purpose of inspection to determine cause of failure (contact BTC if you have questions regarding the return process). If BTC determines that the returned components and/or parts are defective and that this warranty applies, BTC will furnish the repaired or replacement components and/or parts to an authorized BTC distributor who, in turn, will forward the components and/or parts to the heating contractor who installed your Water Heater.

This Warranty applies to water heater purchased, delivered and used within the fifty states of the United States, the District of Columbia and Puerto Rico.

Índice

1 Explicación de los símbolos e instrucciones importantes de seguridad	19
1.1 Explicación de los símbolos	19
1.2 Instrucciones importantes de seguridad	20
2 Información sobre el calentador de agua	22
2.1 Descripción general de los modelos	22
2.2 Dimensiones	23
2.3 Datos técnicos	25
3 Instrucciones de instalación	26
3.1 Requisitos químicos del agua	26
3.2 Tabla de requisitos químicos del agua	26
3.3 Montaje del calentador	26
3.4 Conexiones de tubería	26
3.5 Expansión térmica en un sistema cerrado	27
3.6 Conexiones eléctricas	27
4 Uso	28
4.1 Puesta en marcha y pruebas	28
4.2 Ajuste de la temperatura	29
5 Mantenimiento	29
5.1 Quitar la tapa	29
5.2 Drenado del calentador	29
5.3 Inspección de la barra del ánodo	29
5.4 Desmontaje del elemento de calentamiento	30
5.4 Desmontaje del elemento de calentamiento	30
6 Sustitución de piezas	31
6.1 Cambio de la barra del ánodo	31
6.2 Cambio del elemento de calentamiento	31
6.3 Cambio del termostato	31
7 Corrección de problemas	32
7.1 Reajuste del interruptor de alto límite	32
7.2 Recursos online	33
8 Diagrama de los componentes internos Bosch	34
9 Bosch Tronic 3000T GARANTÍA LIMITADA	35

1 Explicación de los símbolos e instrucciones importantes de seguridad

1.1 Explicación de los símbolos

Advertencias

En las advertencias, las palabras de señalización indican el tipo y la gravedad de las consecuencias que conlleva la inobservancia de las medidas de seguridad indicadas para evitar riesgos.

Las siguientes palabras de señalización están definidas y pueden utilizarse en el presente documento:



PELIGRO:

PELIGRO significa que pueden haber daños personales graves.



ADVERTENCIA:

ADVERTENCIA advierte sobre la posibilidad de que se produzcan daños personales de graves a mortales.



ATENCIÓN:

ATENCIÓN indica que pueden producirse daños personales de leves a moderados.

AVISO:

AVISO significa que puede haber daños materiales.

Información importante



La información importante que no conlleve riesgos personales o materiales se indicará con el símbolo que se muestra a continuación.

Otros símbolos

Símbolo	Significado
▶	Procedimiento
→	Referencia cruzada a otro punto del documento
•	Enumeración/punto de la lista
–	Enumeración/punto de la lista (2º. nivel)

Tab. 1

1.2 Instrucciones importantes de seguridad**ATENCIÓN:****Riesgo de descarga eléctrica!**

- ▶ Al utilizar aparatos eléctricos, para reducir el riesgo de incendio, descarga eléctrica y lesiones corporales, se deben seguir precauciones básicas de seguridad, incluyendo las siguientes:
-
- ▶ LEA TODAS LAS INSTRUCCIONES ANTES DE USAR ESTE CALENTADOR DE AGUA.
 - ▶ Este calentador de agua debe estar conectado a tierra. Conéctelo solamente a una toma de corriente debidamente conectada a tierra. Consulte el apartado “INSTRUCCIONES DE CONEXIÓN A TIERRA” en la sección “INSTRUCCIONES DE INSTALACIÓN”.
 - ▶ Sólo instale o ubique este calentador de agua de conformidad con las instrucciones de instalación suministradas.
 - ▶ Utilice este calentador de agua sólo para el uso especificado, según se describe en este manual.
 - ▶ Los modelos ES2.5 y ES4 vienen equipados con un cable de alimentación. No use un cable de extensión. Si no hay ninguna toma de corriente adyacente al calentador de agua, comuníquese con un electricista calificado para que instale una correctamente cerca del calentador. El modelo ES8 requiere una conexión alámbrica de instalación permanente. Consulte las instrucciones de instalación.
 - ▶ Como en el caso de cualquier aparato eléctrico, es necesaria una estrecha supervisión cuando la unidad sea utilizada por niños.
 - ▶ El calentador de agua debe ser suministrado con agua que cumpla con las normas presentadas en la sección 3.1 - Requisitos químicos del agua.
 - ▶ En caso de suministrar una fuente adicional de agua caliente a este Tronic 3000T, deben tomarse las medidas respectivas para que la temperatura de la fuente de calor no exceda la configuración del termostato de este Tronic 3000T.
 - ▶ Si el calentador de agua ha sido modificado con un equipo adicional de calefacción, es necesario ajustar tanto el termostato que controla la fuente de calor adicional (ubicada en la tubería) y el termostato en el Tronic 3000T (ubicado detrás del panel frontal) a la misma temperatura. En caso de no ajustar ambos termostatos a la misma temperatura, se puede perder el control correcto de la temperatura.
 - ▶ No utilice este calentador de agua si el cable o el enchufe están dañados, si no funciona correctamente o si ha sido dañado o sufrido una caída.

- ▶ Solamente personal de servicio calificado debe dar servicio a este calentador de agua. Para todo examen, reparación o ajuste de la unidad, llame a un técnico de servicio.
- ▶ Si no se sustituye la barra del ánodo al menos una vez por año, puede causar que el tanque presente fallas y fugas de agua. Este problema no está cubierto por la garantía del fabricante.
- ▶ Todo calentador de agua debe instalarse de una manera tal que si llegara a tener una fuga de agua, el flujo de agua resultante no cause daños en el área donde esté instalado.
- ▶ Los Reglamentos Nacionales de Fontanería requieren la instalación de una bandeja colectora. Si no se instala una, es responsabilidad del propietario y/o instalador. Consulte el documento UPC 2006 - Reglamento Uniforme de Fontanería ("Uniform Plumbing Code") Sección 508.1, o el documento IPC 2006 - Reglamento Internacional de Fontanería ("International Plumbing Code") Sección 504 - 7.

AVISO:

- ▶ El instalador debe estudiar el contenido de este manual con el propietario al terminar la instalación. El manual debe quedarse con el propietario y debe guardarse en un lugar cercano al lugar de instalación.

AVISO:

- ▶ El fabricante no puede ser responsable de ningún daño causado por una instalación incorrecta o por no seguirse las instrucciones señaladas en este manual. Siga las instrucciones de instalación antes de realizar la conexión eléctrica.

AVISO:

- ▶ El termostato ha sido pre-configurado de fábrica a una temperatura igual o inferior a 51,7 °C (125 °F).

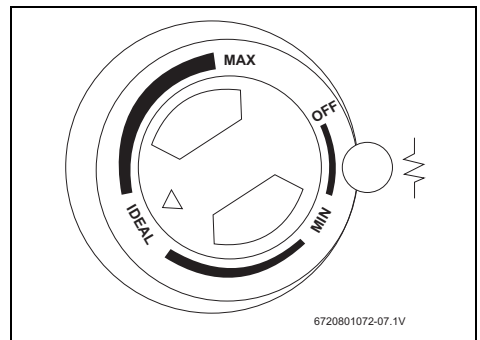


Fig. 1

ATENCIÓN:

- ▶ Puede generarse gas de hidrógeno en un sistema de agua caliente alimentado por este calentador que no haya sido usado durante un largo periodo (generalmente dos semanas o más). El gas de hidrógeno es sumamente inflamable. Para reducir el riesgo de lesiones en estas condiciones, se recomienda abrir la llave de agua caliente durante varios minutos antes de usar cualquier aparato eléctrico conectado al sistema de agua caliente. Si hay presente gas de hidrógeno, probablemente habrá un sonido inusual como el del aire al escaparse a través de un tubo cuando comienza a fluir el agua. En este momento no debe haber humo ni ninguna flama abierta cerca de la llave cuando está abierto.



ATENCIÓN:

- ▶ Todo calentador de agua debe instalarse de una manera tal que si llegara a tener una fuga de agua, el flujo de agua resultante no cause daños en el área donde esté instalado. Los Reglamentos Nacionales de Fontanería requieren la instalación de una bandeja colectora. Si no se instala una, es responsabilidad del propietario y/o instalador. Consulte el documento UPC 2006 - Reglamento Uniforme de Fontanería ("Uniform Plumbing Code") Sección 508.1, o el documento IPC 2006 - Reglamento Internacional de Fontanería ("International Plumbing Code") Sección 504 - 7.

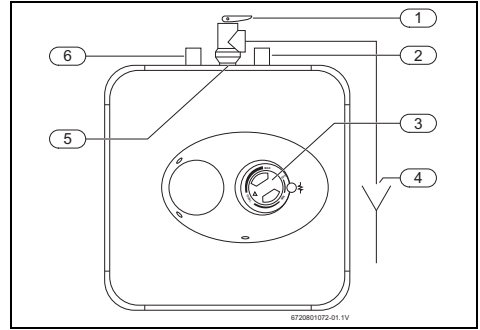


Fig. 2

- [1] Válvula de alivio de temperatura y presión, rosca macho NPT de ¾
- [2] Entrada de agua fría, rosca macho NPT de ½
- [3] Termostato
- [4] Conducto de descarga de la válvula de alivio de temperatura y presión al drenaje
- [5] Rosca hembra NPT de ¾ para la válvula de alivio
- [6] Toma de agua caliente, rosca macho NPT de ½

Modelos ES8 (Instalación horizontal)

AVISO:

- ▶ Antes de conectar la fuente de alimentación, asegúrese de que el tanque esté lleno de agua y que se ha purgado el aire del sistema. En caso de no realizarlo, se puede producir un incendio en el aparato, lo cual no está cubierto por la garantía.

AVISO:

- ▶ Daños en el tanque debido al descuido de mantener la barra del ánodo no está cubierto por la garantía (véase la Sección 5 Mantenimiento).



ADVERTENCIA:

Este producto puede exponer al usuario a químicos, incluyendo plomo, lo cual, según el estado de California es considerado cancerígeno y defectos de nacimiento u otras consecuencias reproductivas. Para mayor información, acceda a www.P65Warnings.ca.gov.

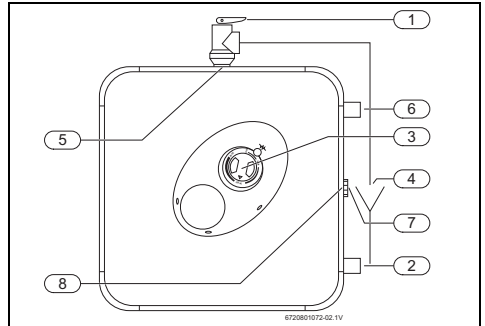


Fig. 3

- [1] Válvula de alivio de temperatura y presión, rosca macho NPT de ¾
- [2] Entrada de agua fría, rosca macho NPT ½
- [3] Termostato
- [4] Conducto de descarga de la válvula de alivio de temperatura y presión al drenaje
- [5] Rosca hembra NPT de ¾ para la válvula de alivio
- [6] Toma de agua caliente, rosca macho NPT ½
- [7] Tapón con rosca macho NPT de ¾
- [8] Rosca hembra NPT de ¾ para la llave

Modelos ES8 (Instalación vertical)

2 Información sobre el calentador de agua

2.1 Descripción general de los modelos

Modelos ES2.5 y ES4

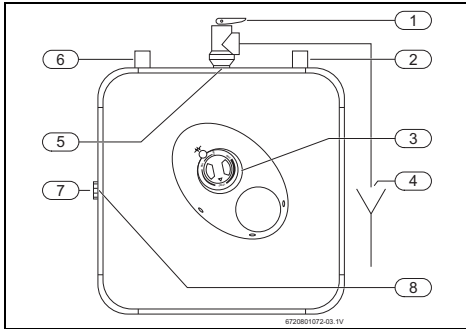


Fig. 4

- [1] Válvula de alivio de temperatura y presión, rosca macho NPT de $\frac{3}{4}$ "
- [2] Entrada de agua fría, rosca macho NPT $\frac{1}{2}$ "
- [3] Termostato
- [4] Conducto de descarga de la válvula de alivio de temperatura y presión al drenaje
- [5] Rosca hembra NPT de $\frac{3}{4}$ " para la válvula de alivio
- [6] Toma de agua caliente, rosca macho NPT $\frac{1}{2}$ "
- [7] Tapón con rosca macho NPT de $\frac{3}{4}$ "
- [8] Rosca hembra NPT de $\frac{3}{4}$ " para la llave

2.2 Dimensiones

Modelos ES2.5 y ES4 (Sólo instalación vertical)

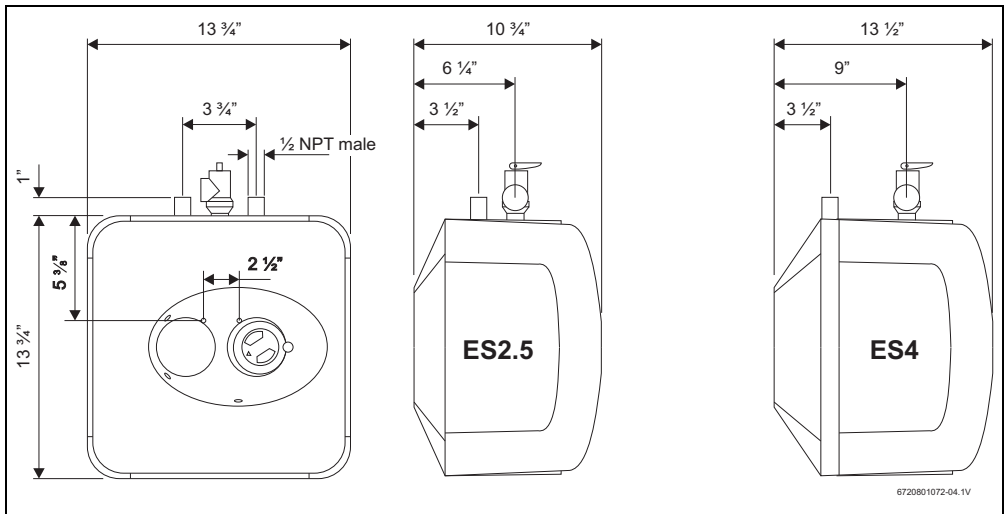


Fig. 5

Modelos ES8 (Instalación vertical)

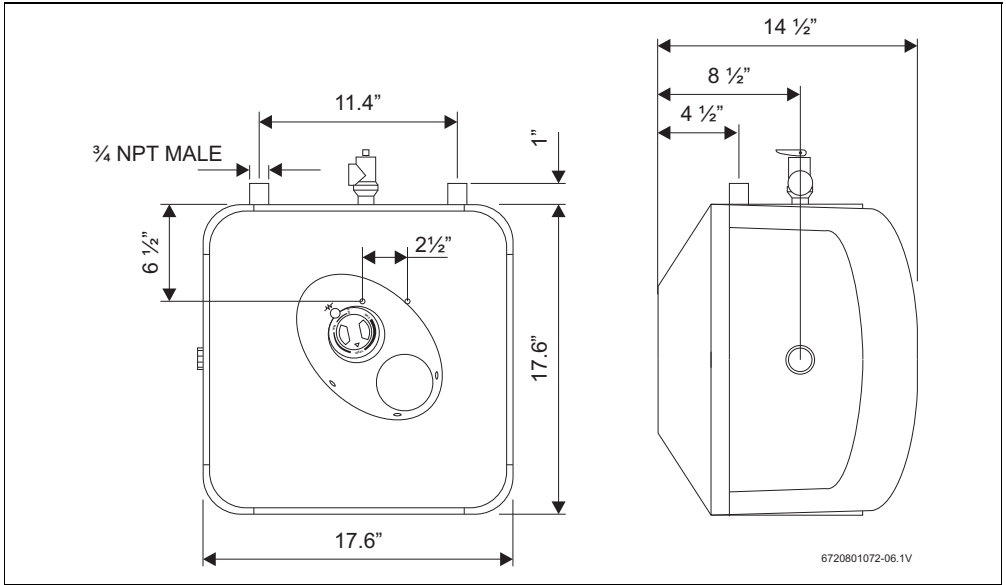


Fig. 6

Modelos ES8 (Instalación horizontal)

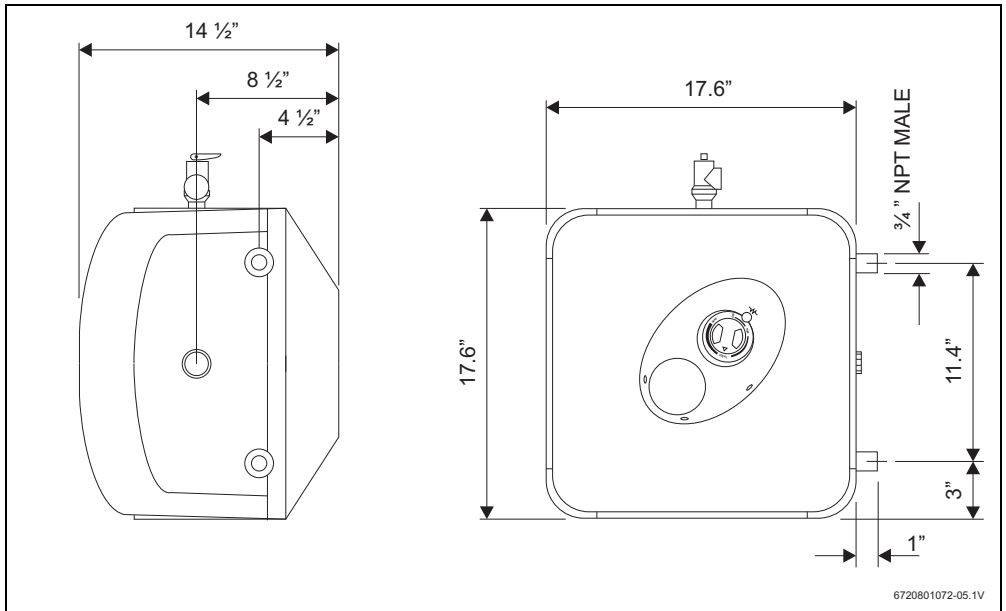


Fig. 7

2.3 Datos técnicos

Datos técnicos	Unidades	ES 2.5	ES 4	ES 8
Capacidad	galones	2.7	4.0	7.0 (Hor.) / 5.1 (Vert.)
Voltaje	VAC	110/120 para cada modelo		
Potencia a 120 VAC	Watts	1440		
Presión de agua máxima	psi	150		
Peso (vacío)	Lbs	15.5	17.3	29.5
Intensidad de corriente	Amps	12.0 para cada modelo		
Fases		1		
Gama de temperatura	°F	65 - 145		
Tasa de recuperación	galones/hora	6.8		

Tab. 2

3 Instrucciones de instalación



Los calentadores de agua ES2.5 y ES4 están diseñados para instalarse bajo el fregadero.

3.1 Requisitos químicos del agua

La química del agua suministrada al calentador de agua puede afectar la eficiencia y puede causar daños o un fallo prematuro del aparato y del equipo respectivo. Un profesional debe analizar la química del agua para determinar si es necesario tratar el agua; el profesional debe proveer asesoría con una solución adecuada.

Es responsabilidad del instalador, asegurarse que el aparato sea suministrado con agua sanitaria¹⁾, libre de químicos corrosivos, arena, suciedad y otros contaminantes y que cumpla con los parámetros indicados en la lista de requisitos químicos del agua, visualizada a continuación. Adicionalmente, temperaturas de servicio mayores a 135°F (57.2 °C) acelerarán la acumulación natural de cal y reducirán potencialmente la vida útil del aparato.

El fallo del aparato debido a sedimentaciones de depósitos de cal y/o por el suministro de agua que no cumpla con los parámetros químicos requeridos NO estará cubierto por la garantía.

3.2 Tabla de requisitos químicos del agua

Descripción	Niveles Máx.
pH	6.5 to 8.5
Dureza total	4 to 20 Granos/US Galón
Concentración de Cloruro	≤ 100 ppm
TDS (Sólidos totales disueltos)	≤ 500 ppm
Conductividad (µS/cm)	≤ 1200

Tab. 3

- 1) Agua sanitaria es definida como agua apta para el consumo humano, suministrada por un proveedor o por una fuente de agua y que cumple con los máximos niveles de calidad EPA (40 CFR parte 143.3). Si el agua contiene contaminantes mayores a los presentados por la EPA, se recomienda un tratamiento de agua, así como un mantenimiento más frecuente que el necesario. En caso de sospechar que el agua esté contaminada de alguna manera, interrumpir el uso del aparato y contactar a un profesional licenciado para solucionar el problema.

3.3 Montaje del calentador

3.3.1 Montaje en la pared

AVISO:

Los calentadores de agua ES2.5 y ES4 están equipados con un cable de alimentación.

- ▶ Asegúrese de que el disyuntor de circuito de alimentación de la toma de corriente eléctrica para el calentador de agua está dimensionado adecuadamente para manejar la carga tanto del calentador de agua y otro aparato (por ejemplo, lavavajillas). Véase la Tabla 2 para las especificaciones eléctricas del calentador de agua.

- ▶ Fije el soporte de montaje suministrado en la pared.

AVISO:

Daños materiales!

- ▶ Utilice tornillos apropiados para el material de la pared y para el peso del calentador cuando está lleno de agua.
- ▶ Coloque el calentador de agua en el soporte.
- ▶ Jale el calentador hacia abajo para asegurarse de que ambos "dedos" del soporte queden asentados en las ranuras de montaje.

3.3.2 Montaje en el piso

- ▶ El calentador puede reposar en el piso.

3.4 Conexiones de tubería

- ▶ Conecte el tubo de entrada de agua fría al tubo corto de entrada (marcado con un anillo azul).
- ▶ Asegúrese de que una válvula de aislamiento esté instalada en el suministro de agua fría al calentador.
- ▶ Conecte el tubo de salida de agua caliente al tubo corto de salida (marcado con un anillo rojo).



El modelo ES8 puede conectarse horizontalmente, por el costado o verticalmente, por la parte superior.

Instalación horizontal - sólo los modelos ES8

Si desea instalar horizontalmente la unidad, con las conexiones de la tubería en el lado derecho:

- ▶ Instale el tapón de latón suministrado en la llave situada entre las dos roscas (de agua caliente y fría).
- ▶ La válvula de alivio de temperatura y presión suministrada deberá instalarse en la parte superior. En la →Fig. 7 puede ver la ubicación de la válvula de alivio de T y P.

Instalación vertical

Si desea instalar verticalmente la unidad, con las conexiones de la tubería en la parte superior:

- ▶ Instale el tapón de latón suministrado en la llave situada en el costado del calentador de agua.
- ▶ La válvula de alivio de temperatura y presión suministrada deberá instalarse en la parte superior.
En las → Fig. 5 y 6 puede ver la ubicación de la válvula de alivio de T y P.

Precaución



PELIGRO:

Para reducir el riesgo de una presión o temperatura excesiva en este calentador de agua:

- ▶ Instale el equipo suministrado de protección contra temperatura y presión excesivas requerido por los reglamentos locales, por lo menos una válvula combinada de alivio de temperatura y presión certificada por un laboratorio de pruebas reconocido a nivel nacional que mantenga una inspección periódica de la producción de los equipos o materiales clasificados, de conformidad con los requisitos correspondientes a Válvulas de Alivio y Dispositivos de Cierre Automático de Gas, ANSI Z21.22.

La válvula de alivio de temperatura y presión suministrada está marcada con una presión máxima fija (150 psi) que no excede la presión de trabajo máxima marcada del calentador de agua.

- ▶ Instale la válvula en la abertura suministrada y marcada para este propósito en el calentador de agua.
- ▶ Oriéntela o instale la tubería de manera que cualquier descarga proveniente de la válvula salga dentro de una distancia de 6 pulgadas arriba, o a cualquier distancia abajo, el piso estructural, y no pueda tocar ninguna pieza eléctrica. La abertura de descarga no debe estar bloqueada ni reducida de tamaño en ninguna circunstancia.

Los Reglamentos Nacionales de Fontanería puede requieren la instalación de una bandeja colectora. Si no se instala una, es responsabilidad del propietario y/o instalador. Consulte el documento UPC 2006 - Reglamento Uniforme de Fontanería ("Uniform Plumbing Code") Sección 508.1, o el documento IPC 2006 - Reglamento Internacional de Fontanería ("International Plumbing Code") Sección 504 - 7.

3.5 Expansión térmica en un sistema cerrado

Una descarga periódica de la válvula de alivio de temperatura y presión o una falla de la junta del elemento puede deberse a una expansión térmica en un sistema cerrado de suministro de agua. El medidor del servicio de suministro del agua puede con-

tener una válvula de retención, obturador de contraflujo o válvula reductora de presión de agua que forme un sistema cerrado de agua. Durante el ciclo de calentamiento del calentador de agua, el agua se expande y causa un aumento en la presión dentro del calentador. La válvula de alivio de temperatura y presión puede descargar agua en estas condiciones, lo cual produce una pérdida de energía y la formación de depósitos de cal en el asiento de la válvula de alivio. Para evitar tal situación, se recomiendan dos cosas: 1. Instale un tanque de expansión tipo diafragma apropiado para agua potable en la tubería de suministro de agua fría. El tanque de expansión debe tener una capacidad mínima de 0,5 galones norteamericanos. Si necesita información sobre la forma de controlar esta situación, comuníquese con la compañía de suministro de agua o con un inspector de fontanería de la localidad. No tape la válvula de alivio de temperatura y presión.

3.6 Conexiones eléctricas

El modelo ES8 requiere una conexión alámbrica de instalación permanente. Según el Código Eléctrico Nacional de los EE.UU. ("National Electric Code"), el calentador ES8 debe ser conectado a un circuito derivado de 20 amperios utilizando un cable de calibre # 12.



No utilice protectores contra sobretensiones ni adaptadores de tomas múltiples con este calentador de agua.

- ▶ Retirar la cubierta de la caja eléctrica.
- ▶ Introduzca el cable 12 AWG en la caja de empalme a través de la boquilla de paso y fíjelo con la abrazadera de la boquilla de paso (no suministrada).
- ▶ Conecte los cables y los tornillos de la cubierta de la caja eléctrica.
- ▶ Realice las conexiones eléctricas apropiadas al calentador de agua, de conformidad con el Código Eléctrico Nacional de los EE.UU.

La unidad debe conectarse a tierra con el cable de conexión a tierra suministrado dentro de la caja de empalme.

- ▶ Fije la tapa de la caja de empalme una vez que se han realizado las conexiones del cableado.

Si el calentador ES8 no está al alcance de los disyuntores eléctricos, debe instalarse un interruptor de circuitos u otra forma local de desconexión de todos los conductores no conectados a tierra que esté al alcance del aparato. [Ref. NEC 422.31].

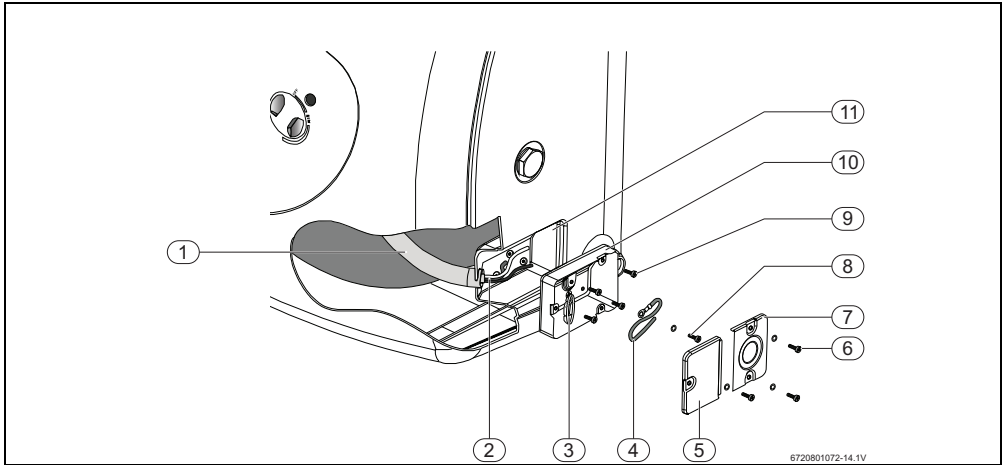


Fig. 8

- [1] Tubería de protección para cableado (interno, como en los modelos actuales)
- [2] Cableado
- [3] Anillo de protección para cableado.
- [4] Cable adicional de conexión a tierra AWG16 (longitud mínima 152mm)
- [5] Tapa de la caja izquierda de empalme
- [6] Tornillo autorroscante nº 3 para fijación de la tapa de la caja de empalme (con arandela de seguridad o cabeza dentada)
- [7] Tapa de la caja derecha de empalme
- [8] Tornillo autorroscante nº 1 para conexión a tierra (con arandela de seguridad o cabeza dentada)
- [9] Tornillos nº 4 para fijación de la tapa de la caja de empalme
- [10] Caja de empalme
- [11] Cuerpo de la caja de empalme (en la tapa frontal de plástico)

Para llenar el calentador:

- ▶ Abra la llave de suministro para llenar el calentador con agua.
- ▶ Abra la(s) llave(s) de agua caliente suministradas por el calentador para purgar el aire del sistema. Una vez purgado el aire, cierre la llave de agua caliente.
- ▶ Compruebe visualmente la existencia de eventuales fugas de agua.

Encendido del calentador

Para modelos sin interruptor:

- ▶ Encienda el calentador de agua enchufando el cable de alimentación a la toma de corriente (modelos ES2.5, ES4) o encienda el disyuntor (modelo ES8). Si no se enciende la luz, gire el mando de regulación en sentido horario. En seguida se enciende la luz y permanece encendida hasta que se alcanza la temperatura programada en el termostato. La luz vuelve a encenderse automáticamente cuando la temperatura del agua en el interior del tanque cae por debajo del valor programado en el termostato.

4 Uso

4.1 Puesta en marcha y pruebas



ATENCIÓN:

NO encienda el calentador de agua hasta que esté lleno de agua. Si el calentador de agua es activado antes de llenarlo con agua, puede producirse un daño por incendio. La garantía no cubre este tipo de avería.

4.2 Ajuste de la temperatura

El ajuste de la temperatura del agua caliente se realiza girando el mando M situado en la tapa frontal. La temperatura puede ajustarse entre los 65 °F y 145 °F.

- ▶ Gire el mando en sentido horario para aumentar la temperatura.
- ▶ Gire el mando en sentido antihorario para disminuir la temperatura.

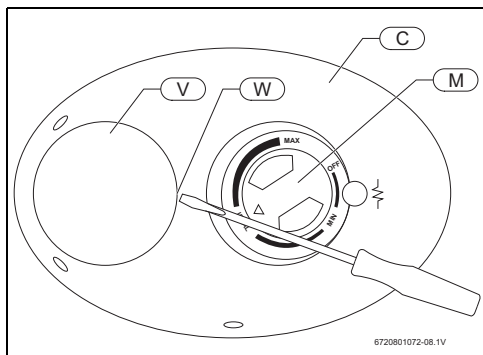


Fig. 9

5 Mantenimiento



ATENCIÓN:

No intente reparar usted mismo este calentador de agua. Llame a un técnico de servicio si necesita asistencia. Desconecte siempre la fuente de alimentación del calentador de agua antes de darle servicio o drenarlo.

Mantenimiento requerido



Desconectar la corriente del calentador de agua (ES2.5 y ES4 para los siguientes procesos, desconectándolo del enchufe. ES8; Desconectar el interruptor de conexión y desconexión en el panel principal). Para algunas de las siguientes funciones, es necesario vaciar el agua del calentador de agua.

5.1 Quitar la tapa

- ▶ Con un destornillador pequeño de punta plana desprenda la placa protectora redonda [V] por su borde derecho [W].
- ▶ Retire el tornillo Phillips situado bajo la placa protectora redonda.

- ▶ Ahora puede retirarse la tapa [C] extrayendo el borde izquierdo de la misma. Al rearmar la unidad, proceda en sentido inverso, teniendo cuidado de introducir la lengua de la tapa en la ranura.

5.2 Drenado del calentador

Si el calentador ha sido instalado con mangueras flexibles:

- ▶ Desconecte la fuente de alimentación.
- ▶ Vuelque el calentador sobre un fregadero para drenar toda el agua, o bien.

••

También puede ser drenado por:

- ▶ Extraiga el agua con sifón por la manguera del lado de la entrada.
- ▶ Mantenga abierta una llave de agua caliente mientras extrae el agua con sifón, o bien.

••

Si el calentador ha sido instalado con tuberías rígidas:

- ▶ Extraiga el agua con sifón a través de cualquier válvula de servicio (inferior) en el (lado de la entrada).
- ▶ Mantenga abierta una llave de agua caliente mientras extrae el agua con sifón.

5.3 Inspección de la barra del ánodo

La barra del ánodo (→ Fig. 13, [N]) ayuda a proteger el tanque contra la corrosión. Es fundamental que la barra del ánodo sea inspeccionada una vez al año para comprobar si necesita ser sustituida (y sustituirlo por lo menos una vez cada dos años). Para acceder a la barra del ánodo, debe retirarse el elemento de calentamiento (consulte la Sección 5.4 Desmontaje del elemento de calentamiento).

Al inspeccionar la barra del ánodo, su superficie debe ser lisa. Si la superficie de la barra presenta hoyos, arrugas, oxidación, o si la barra falta por completo, sustituirlo antes de activar nuevamente el calentador de agua.

Para acceder a la barra del ánodo:

- ▶ Retire el elemento de calentamiento (consulte la Sección 5.4 Desmontaje del elemento de calentamiento).

Dimensiones de la barra del ánodo original

- ES2.5, ES4: 131mm de longitud, 5/8" de diámetro
- ES8: 170mm de longitud, 3/4" de diámetro

Algunas instalaciones pueden requerir una sustitución más frecuente de la barra del ánodo:

- aplicaciones de recirculación;
- mala calidad del agua;
- corrosión galvánica/electrolítica;

- aplicaciones de alto caudal

En el caso de mala calidad del agua, Bosch recomienda consultar a un profesional local en tratamiento de agua para conocer las opciones de tratamiento de agua. Asegúrese siempre de que el calentador esté conectado a tierra. Los modelos ES2.5 y ES4 deben estar enchufados sólo a una toma de corriente debidamente conectada a tierra. La garantía del fabricante no cubre daños resultantes de la no sustitución de la barra del ánodo. Si tiene preguntas adicionales, llame al servicio técnico de Bosch.

5.4 Desmontaje del elemento de calentamiento

- ▶ Desconecte la fuente de alimentación y drene el calentador (consulte la sección anterior).
- ▶ Retire la placa protectora frontal y desconecte los bornes X, Y y T.
- ▶ Destornille las cuatro tuercas de retención F del elemento de calentamiento.
- ▶ Retire el sensor de temperatura del termostato del aljibe [B] situado en el cuerpo del elemento.
- ▶ Retire el elemento G.

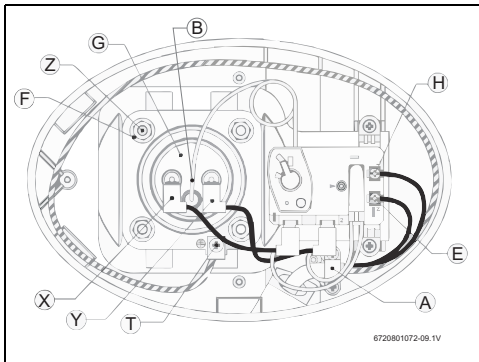


Fig. 10

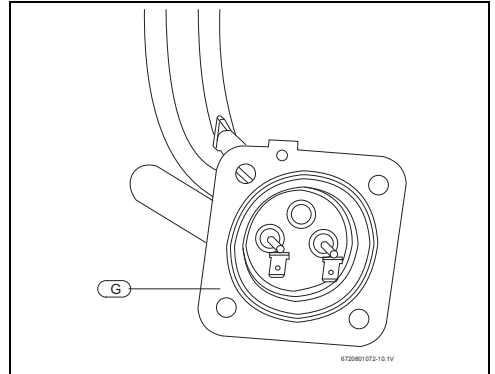


Fig. 11

Vídeo de ayuda disponible online

Aquí encontrará instrucciones en vídeo sobre cómo desmontar la resistencia y comprobar la varilla del ánodo: <https://youtu.be/5Ne5lan9Cis> o escaneando este código QR.

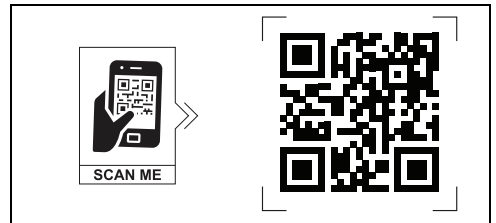


Fig. 12 Código QR

5.5 Descalcificación del elemento de calentamiento

Los depósitos de cal pueden afectar la capacidad de calentamiento del elemento. Una acumulación de cal gruesa puede incluso causar daños al elemento. El elemento puede descalcificarse química o manualmente:

- ▶ Remoje el elemento en vinagre blanco u otra solución descalcificadora.
- ▶ Una vez descalcificado el elemento, enjuáguelo bien con agua dulce, a la cual se le debe añadir un poco de bicarbonato de sodio, o bien,
-
- ▶ Una vez que esté seco el elemento, cepíllelo con un cepillo suave (no metálico para evitar dañar la vaina de acero inoxidable).
- ▶ Remueva el mineral seco con el cepillo

- ▶ Vuelva a instalar el elemento con la junta y realice las conexiones de los alambres.

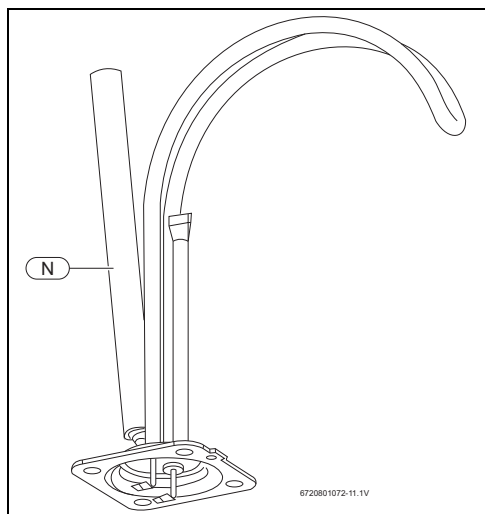


Fig. 13

AVISO:

Asegúrese de haber llenado el tanque de agua antes de volver a conectar la fuente de alimentación.

- ▶ Instale un nuevo elemento con la junta, asegurándose de que ambos estén colocados correctamente. Apriete las tuercas de retención y efectúe las conexiones de los alambres.
- ▶ Asegúrese de que el sensor de temperatura del termostato esté insertado en el aljibe situado en el conjunto del elemento y fijado con un ojal de goma negra.
- ▶ Vuelva a llenar el tanque de agua antes de conectar la fuente de alimentación.

6.3 Cambio del termostato

- ▶ Desconecte la fuente de alimentación.
- ▶ Desconecte los dos alambres de tirón y empujón del termostato.
- ▶ Afloje los dos tornillos de latón situados en el lado derecho del termostato y extraiga los alambres.
- ▶ Retire el sensor de temperatura del termostato del aljibe situado en el cuerpo del elemento.
- ▶ Desenrosque y retire los dos tornillos Phillips que fijan el termostato al tanque.
- ▶ Instale el nuevo termostato y vuelva a colocar los alambres y los tornillos.
- ▶ Asegúrese de que el sensor de temperatura del termostato esté insertado en el aljibe situado en el conjunto del elemento y fijado con un ojal de goma negra.

6 Sustitución de piezas

6.1 Cambio de la barra del ánodo

- ▶ Desconecte la fuente de alimentación y drene el calentador (consulte la sección "Drenado del calentador").
- ▶ Retire el elemento de calentamiento (consulte la sección anterior).
- ▶ Desenrosque la barra del ánodo de la conexión roscada
- ▶ Retire la barra del ánodo [N] y sustitúyala.
- ▶ Vuelva a instalar elemento de calentamiento.
- ▶ Vuelva a llenar el tanque de agua antes de conectar la fuente de alimentación.

6.2 Cambio del elemento de calentamiento

- ▶ Desconecte la fuente de alimentación y drene el calentador (consulte la sección 5.2 "Drenado del calentador").
- ▶ Retire el elemento de calentamiento (consulte la sección 5.4 "Desmontaje del elemento de calentamiento").

7 Corrección de problemas

Problema	Solución
No se calienta el agua.	<p>Asegúrese de que la fuente de alimentación esté conectada y funcionando correctamente.</p> <p>Si no se enciende la luz, compruebe que esté oprimido el botón de reajuste de alto límite; siga los pasos indicados en la sección 7.1.</p> <p>Si la luz indicadora funciona correctamente, pero no sale agua caliente de la llave, compruebe si hay un cruce de tubería; cierre el agua fría suministrada al calentador y abra la llave de agua caliente. No debe correr agua. Si hay un flujo continuo de agua, indica la presencia de un cruce en la tubería, lo cual afecta la temperatura y debe corregirse. Además, es importante comprender que se trata de un calentador de agua con tanque de almacenamiento y, por lo tanto, el agua tardará un tiempo en alcanzar la temperatura establecida. Si el aparato se ha llenado de agua recientemente y está encendido, espere aproximadamente 20 minutos para que alcance la temperatura.</p> <p>Llame a un técnico calificado para verificar la resistencia del elemento de calentamiento (8-10 ohmios). Sustituya el elemento de calentamiento si las lecturas están fuera de estos valores.</p>
No se enciende la luz.	<p>Si no se enciende la luz, pero sí se calienta el agua, compruebe si la lámpara es defectuosa.</p> <p>Compruebe el botón de reajuste de alto límite; Siga los pasos indicados en la sección 7.1.</p>
El agua sale marrón.	<p>La presencia de agua marrón u oxidada indica que la barra del ánodo está "gastada" y un posible deterioro del cuerpo del tanque. Inspeccione el tanque para ver si hay fugas de agua.</p> <p>Compruebe la barra del ánodo (véase la sección sobre el cambio de la barra del ánodo).</p>
El agua sale con olor.	<p>La presencia de agua con olor puede deberse a una reacción inusual entre el agua de la localidad y la barra del ánodo del calentador. Compruebe la barra del ánodo (consulte la sección 6.1 Cambio de la barra del ánodo). De lo contrario, podría ocasionar daños al tanque y fugas de agua.</p>
Fugas de agua.	<p>Compruebe las conexiones de agua y la conexión de la válvula de alivio de temperatura y presión en la parte superior del tanque.</p> <p>Retire la tapa frontal e inspeccione la junta del elemento de calentamiento.</p> <p>Si el tanque pierde agua, llame a Bosch Water Heating para hacer valer la garantía si está dentro del periodo de la misma.</p> <p>Compruebe la barra del ánodo (véase la sección 6.1 Cambio de la barra del ánodo).</p>

Tab. 4

7.1 Reajuste del interruptor de alto límite

Ocasionalmente, el dispositivo de apagado de límite de alta temperatura puede activar el reinicio del sistema. Esto ocurre cuando la temperatura del agua supera los 190°F. El dispositivo de apagado también puede activarse debido a un apagón o una tormenta eléctrica.

Para acceder al termostato:

- ▶ Desconecte el cable de alimentación (o apague el disyuntor modelo ES8) y quite la tapa frontal.
- ▶ Presione firmemente el botón de reinicio [B] con la punta de un bolígrafo u objeto similar.

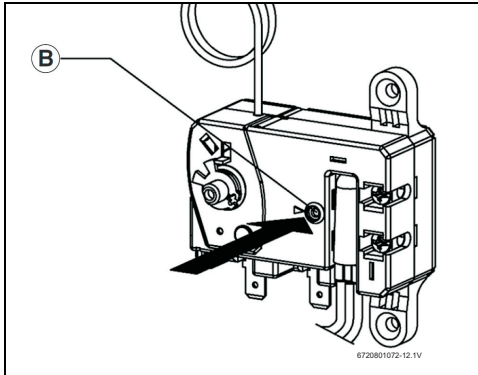


Fig. 14

Un clic indica que se ha activado el reinicio del sistema.

- ▶ Vuelva a conectar el cable de alimentación.

IMPORTANTE: Compruebe el funcionamiento del termostato:

- ▶ Gire el selector de temperatura de alto a bajo.
Si no se apaga la luz roja en el ajuste bajo:
- ▶ Desconecte la fuente de alimentación y llame a un técnico de servicio para sustituir el termostato.
Si se apaga la luz roja, el termostato funciona correctamente:
- ▶ Gire el selector de temperatura a la posición deseada.



Un ajuste más bajo es más económico, reduce el riesgo de quemaduras y también puede ayudar a ralentizar la acumulación natural de sarro dentro del calentador de agua.

- ▶ Vuelva a colocar la tapa.



ATENCIÓN:

Llame a un técnico si es necesario reajustar con frecuencia el límite alto. La activación frecuente del límite superior puede indicar que se ha formado una capa de cal en la resistencia de calentamiento.

- ▶ Véase la sección 5.5 Descalcificar la resistencia de calentamiento para obtener más detalles.

7.2 Recursos online

Para mayor apoyo técnico, boletines de servicio, vídeos y preguntas frecuentes, acceder a nuestra página web de apoyo técnico;

www.boschheatingcooling.com/service.

Alternativamente, también se puede escanear el código, usando el teléfono móvil!

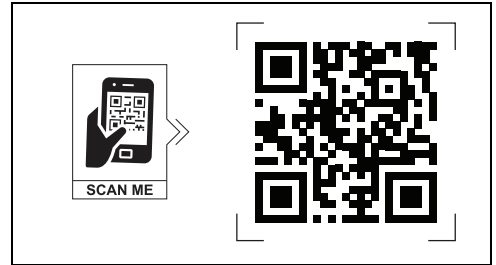


Fig. 15 Código QR

8 Diagrama de los componentes internos Bosch

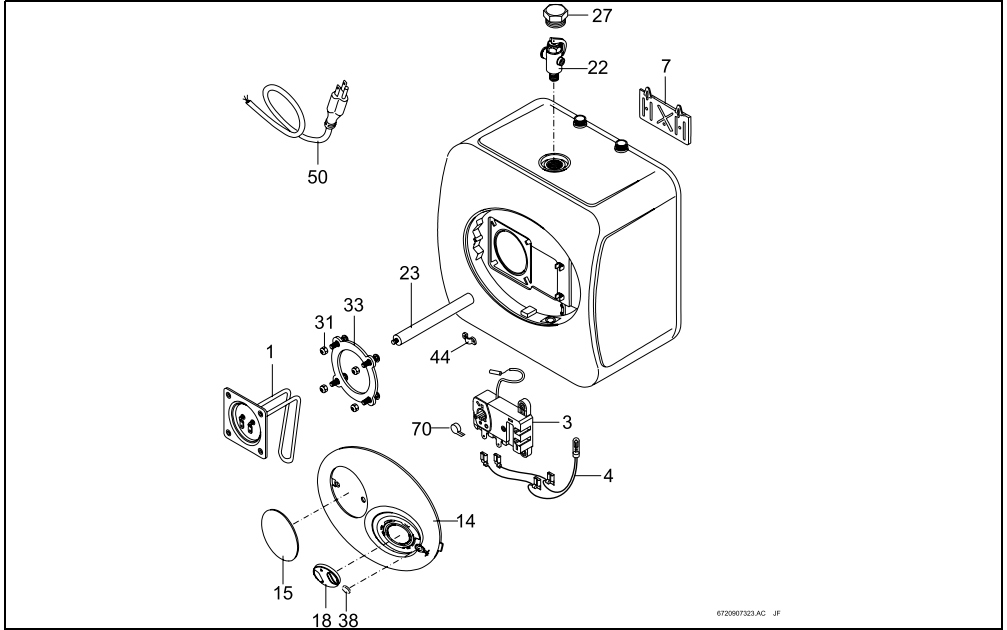


Fig. 16

Pieza	Descripción	Código (TTNR)	Modelo
1	RESISTENCIA 1440W	8 738 704 439 0	ES 2.5 / ES 4
	RESISTENCIA 1440W	8 738 704 440 0	ES 8
3	TERMOSTATO CABLEADO	8 738 711 260	ES 2.5 / ES 4
	TERMOSTATO CABLEADO	8 738 711 261	ES 8
4	LÁMPARA DE NEÓN	8 738 727 579	ES 2.5 / ES 4 / ES 8
7	SOPORTE INSTALACION	8 738 704 443 0	ES 2.5 / ES 4 / ES 8
14	CAZOLETA + LENTE NEON	8 738 704 446 0	ES 2.5 / ES 4 / ES 8
18	MANDO DE REGULACION	8 738 704 444 0	ES 2.5 / ES 4 / ES 8
22	VALVULA T&P ¾	8 738 704 445 0	ES 2.5 / ES 4 / ES 8
23	ANODO MAGNESIO D16 L:131 M4	7 738 007 315	ES 2.5 / ES 4
	ANODO MAGNESIO D18 L:170 M4	7 738 007 316	ES 8
31	TUERCA M6	8 738 704 449 0	ES 2.5 / ES 4 / ES 8
33	JUNTA 4 PERNO	8 738 704 450 0	ES 2.5 / ES 4 / ES 8
38	LENTE NEON	8 738 704 451 0	ES 2.5 / ES 4 / ES 8
44	SUJETACABLE	8 738 704 452 0	ES 2.5 / ES 4 / ES 8
50	CABLE DE ALIMENTACION	8 738 704 453 0	ES 2.5 / ES 4
70	PALANCA TERMOSTATO	8 738 704 454 0	ES 2.5 / ES 4 / ES 8

Tab. 5

9 **Bosch Tronic 3000T GARANTÍA LIMITADA**

MODELOS CUBIERTOS

Esta garantía limitada es proporcionada por Bosch Thermotechnology Corp. ("BTC") y cubre el modelo Bosch Tronic 3000T calentador de agua, y los modelos ES2.5, ES4 y ES8 (referido a continuación como "Calentador de agua"). Esta garantía se ofrece siempre y cuando el calentador de agua permanezca en posesión del comprador original y esté instalado en su lugar original de instalación.

COBERTURA DE LA GARANTÍA

Garantía limitada

Tanque interior del calentador de agua ("Tanque interior") - BTC garantiza que el tanque interior se mantendrá libre de fugas durante seis (6) años a partir de la fecha de instalación o a partir de la fecha de fabricación si se prueba que la instalación no está disponible, siempre que esté adecuadamente instalado y mantenido y se cumplan las demás condiciones de la presente garantía. Si BTC determina que el producto tiene un defecto de fabricación o en los materiales, BTC, según su criterio, reparará o reemplazará la pieza defectuosa.

OTRAS PIEZAS DEL CALENTADOR DE AGUA ("Otras piezas")

- BTC garantiza que otras piezas están libres de defectos de fabricación y materiales durante dos (2) años a partir de la fecha de la instalación original o a partir de la fecha de fabricación si se prueba que la instalación no está disponible.

ELEMENTOS NO CUBIERTOS

Esta garantía limitada no cubre las siguientes circunstancias:

1. Componentes o piezas no suministradas por BTC.
2. Arañazos o decoloración de los acabados.
3. Elementos útiles y mantenimiento normal, como solicitado por el Manual de instalación y de mantenimiento.
4. La mano de obra de cualquier instalación. BTC renuncia y no asume ninguna responsabilidad de ninguna naturaleza por el desempeño insatisfactorio causado por una instalación, reparación o mantenimiento inadecuado.
5. Los costes de mano de obra o de material para la eliminación, reinstalación, reparación o sustitución del componente defectuoso o parcialmente defectuoso.
6. Los costes de electricidad o combustible, o cualquier aumento o ahorro no realizado en el mismo, por cualquier motivo.

7. Los daños causados por abuso, accidente, negligencia, temperaturas o presiones excesivas, congelación, reacción electroquímica, impurezas en el agua y en el aire, fallos eléctricos, e inundaciones o causas de fuerza mayor.
8. Los daños causados por la falta de mantenimiento de la barra del ánodo. Consulte el manual de instalación para obtener más detalles.
9. Los gastos de transporte, gastos de envío o gastos administrativos incurridos por el comprador en la reparación o sustitución del calentador de agua.

CONDICIONES DE GARANTÍA

La garantía quedará anulada en los siguientes casos:

1. Avería o mal funcionamiento como resultado de un funcionamiento incorrecto o negligente, accidentes, abusos, congelación, características de desequilibrio eléctrico, mal uso, alteración no autorizada, alimentación eléctrica errónea, picos de tensión o instalación, reparación o mantenimiento inadecuado. Fallo en el mantenimiento de la barra del ánodo. Consulte el Manual para la instalación y mantenimiento.
2. Fallo o mal funcionamiento como resultado del suministro de agua contaminada o corrosiva, la adición de productos químicos no autorizados, el funcionamiento a temperaturas, presiones o caudales anómalos, o cualquier unión, accesorio o componente no autorizado o aprobado por BTC. Ver el Manual para obtener información sobre la instalación y el mantenimiento.
3. Fallo o mal funcionamiento como resultado del funcionamiento del calentador de agua no abastecido con agua potable o utilizado con agua que pueda causar depósitos o corrosión. Fallo o mal funcionamiento debido a que el calentador de agua no se alimenta con agua potable que cumpla con los requisitos químicos adecuados o agua que pueda causar sedimentos o corrosión.
4. Trabajo realizado sin la autorización o aprobación previa y sin el número de autorización/solicitud y sin la documentación adecuada de verificación del cumplimiento de los términos anteriores.

GARANTÍA LIMITADA

ADEMÁS DE LAS OBLIGACIONES DE BTC AQUÍ EXPRESAMENTE ESTABLECIDAS, BTC RECHAZA TODAS LAS DEMÁS GARANTÍAS, EXPRESAS O IMPLÍCITAS, INCLUYENDO, PERO NO LIMITADAS A LAS GARANTÍAS IMPLÍCITAS DE COMERCIALIZACIÓN O IDONEIDAD PARA UN USO ESPECÍFICO. LA ÚNICA OBLIGACIÓN DE BTC CON RESPECTO AL PRODUCTO Y A LOS RECURSOS EXCLUSIVOS DEL COMPRADOR SE ESTABLECE EN LA GARANTÍA PRECEDENTE. BTC NO SE HACE RESPONSABLE DE DAÑOS INDIRECTOS, ACCIDENTALES, ESPECIALES, CONSECUENTES O SIMILARES, INCLUYENDO, SIN LIMITACIÓN, LESIONES O DAÑOS A PERSONAS O PROPIEDAD, O

DAÑOS POR PÉRDIDA DE USO, PÉRDIDA DE BENEFICIOS, INCONVENIENTES O PÉRDIDA DE TIEMPO. TENGA EN CUENTA QUE CUALQUIER PRODUCTO REPARADO O SUSTITUIDO ESTARÁ GARANTIZADO ÚNICAMENTE DURANTE EL RESTO DEL PLAZO DE LA GARANTÍA ORIGINAL.

Algunos estados no permiten la exclusión o limitación de daños o limitaciones sobre la duración de una garantía implícita, por lo que las anteriores limitaciones y exclusiones puede que no se apliquen a usted.

PROCESO DE RECLAMACIÓN DE GARANTÍA

Si usted tiene una reclamación de garantía debe notificarla al contratista que ha instalado el calentador de agua o enviar la reclamación de garantía directamente a BTC, a Bosch Thermo-technology Corp., 50 Wentworth Avenue, Londonderry, NH 03053. Para procesar su reclamación, necesitará una copia de la factura original u otra prueba de compra y la documentación que demuestre el número de modelo del calentador de agua, el número de serie, la fecha original de instalación, el lugar de compra y el nombre del instalador. Los componentes o piezas defectuosas se deben devolver a BTC en conformidad con el procedimiento de BTC en vigor para el manejo de las mercancías de retorno con el propósito de inspeccionarlas para determinar la causa del desperfecto (en caso de duda sobre el proceso de retorno contacte con BTC). Si BTC determina que los componentes de devolución y/o partes defectuosas están bajo esta garantía, BTC facilitará la reparación o sustitución de componentes y/o partes a un distribuidor autorizado de BTC que, a su vez, enviará los componentes o partes al contratista de calefacción que ha instalado el calentador de gas. Esta garantía se aplica a los calentadores de agua comprados, entregados y usados dentro de los cincuenta estados de los Estados Unidos, el Distrito de Columbia y Puerto Rico.







Bosch Thermotechnology Corp.
50 Wentworth Avenue
Londonderry, NH 03053
Tel. 866-330-2730
www.bosch-homecomfort.com/us
U.S.A.

Bosch Thermotechnology Corp. reserves the right
to make changes without notice due to continuing
engineering and technological advances.

Robert Bosch S. de R.L. de C.V.
División de Termotecología
Circuito Guillermo González Camarena
No. 333, Col. Centro de Ciudad Santa Fe.
Álvaro Obregón
C.P.: 01210 México, D.F.
Fax: (55) 5284 3077
www.bosch-homecomfort.mx

My Service

Para dudas, conexión, garantía o mantenimiento: termotecologia@mx.bosch.com
01 (55) 1500 5867